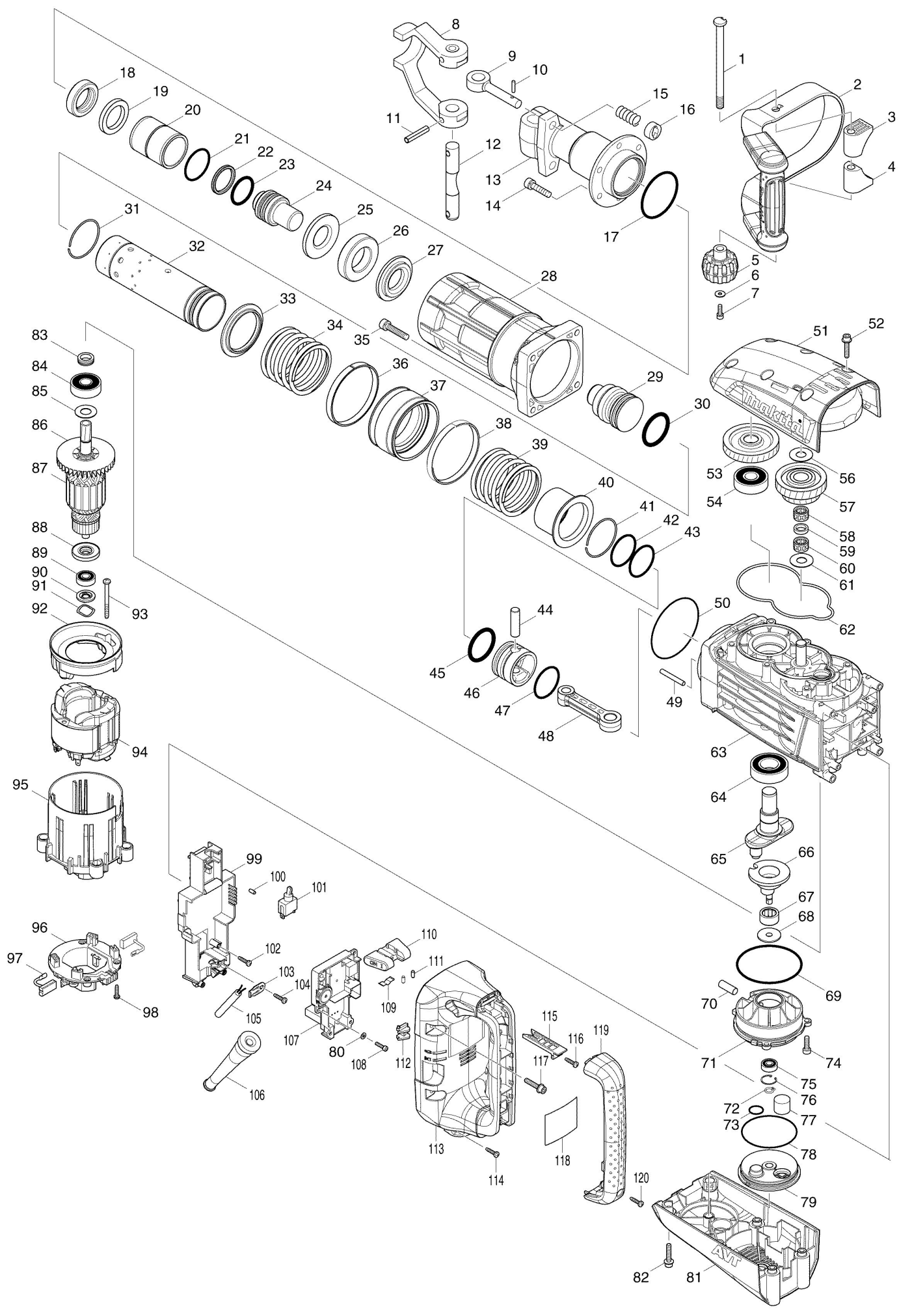


# Skissritning för HM1317CB - Bilningshammare



Nr.	Art nr.	Namn
1	266512-5	SET BOLT M10X142
2	163506-0	SIDE HANDLE
3	451331-4	HANDLE BASE
4	451331-4	HANDLE BASE
5	252654-1	THUMB NUT M10
6	253194-2	FLAT WASHER 5
7	922221-3	HEX. SOCKET HEAD BOLT M5X16
8	325895-3	TOOL RETAINER
9	322477-2	TOOL RETAINER POLE
10	256219-1	PIN 4
11	951272-9	SPRING PIN 8-40
12	324238-6	TOOL RETAINER SHAFT
13	331872-5	TOOL HOLDER
14	266011-7	HEX. SOCKET HEAD BOLT M8X35
15	233083-7	COMPRESSION SPRING 12
16	322560-5	RETAINER RING
17	213720-9	O RING 67
18	262151-9	URETHAN RING 32
19	257301-9	RING 35
20	257788-5	SLEEVE 43
21	213569-7	O RING 45
22	213192-8	X-RING 36
23	213150-4	O-RING 36
24	325687-0	IMPACT BOLT
25	325683-8	WASHER 30
26	424206-0	RUBBER RING 36
27	325684-6	SHOULDER RING 32
28	318458-2	BARREL
29	325685-4	STRIKER
30	213193-6	O-RING 42
31	233977-6	RING SPRING 55
32	331870-9	CYLINDER 52
33	451168-9	SHOULDER SLEEVE
34	234111-1	COMPRESSION SPRING 66
35	265367-5	HEX. SOCKET HEAD BOLT M8X40
36	451169-7	WEIGHT GUIDE
37	331867-8	COUNTER WEIGHT
38	451169-7	WEIGHT GUIDE
39	234111-1	COMPRESSION SPRING 66
40	331868-6	SLIDE SLEEVE
41	233977-6	RING SPRING 55
42	213569-7	O RING 45
43	213569-7	O RING 45
44	256238-7	PIN 12
45	213193-6	O-RING 42
46	318459-0	PISTON
47	213569-7	O RING 45
48	451164-7	CONNECTING ROD

49	268241-6	PIN 6
50	213806-9	O RING 90
51	318462-1	GEAR COVER
52	266499-1	H.S HEAD BOLT M6X30 WITH GM
53	227709-1	HELICAL GEAR 47
54	211306-3	BALL BEARING 6204LLB
56	267166-1	FLAT WASHER 14
57	226156-3	GEAR COMPLETE 31-43
58	212159-3	NEEDLE CAGE 1412
59	262157-7	NYLON RING 14
60	212159-3	NEEDLE CAGE 1412
61	267166-1	FLAT WASHER 14
62	424207-8	SEAL RING
63	140056-2	CRANK HOUSING COMPLETE
64	211373-8	BALL BEARING 6205LLU
65	331871-7	CRANK SHAFT
66	331869-4	COUNTER SHAFT
67	212264-6	NEEDLE ROLLER BEARING 1813
68	325686-2	SHOULDER WASHER 8
69	213809-3	O RING 87
70	268240-8	PIN 10
71	140057-0	BEARING BOX COMPLETE
72	961004-6	RETAINING RING S-8
73	213261-5	O RING 17
74	265844-7	HEX. SOCKET HEAD BOLT M6X20
75	211032-4	BALL BEARING 608ZZ
76	962112-6	RETAINING RING R-22
77	443127-7	FILTER
78	213758-4	O RING 74
79	451166-3	CRANK CAP COVER
80	346546-5	PLATE
81	451167-1	REAR COVER
82	266499-1	H.S HEAD BOLT M6X30 WITH GM
83	331855-5	SEALING SCREW
84	211249-9	BALL BEARING 6302LLU
85	267397-2	FLAT WASHER 15
87	517788-0	ARMATURE ASSEMBLY 220-240V
88	681642-5	INSULATION WASHER
89	210059-1	BALL BEARING 6000DDW
90	451107-9	WASHER GUIDE
91	267809-5	WAVE WASHER 19
92	451111-8	BAFFLE PLATE
93	266044-2	TAPPING SCREW 5X60
94	636333-3	FIELD 220-240V
95	451117-6	MOTOR HOUSING
96	638447-4	BRUSH HOLDER UNIT
97	195844-2	CARBON BRUSH CB-175
98	265995-6	TAPPING SCREW 4X18
99	158986-3	CONTROLLER COVER COMPLETE

---

100	263027-3	RUBBER PIN 4
101	651423-1	SWITCH
102	265995-6	TAPPING SCREW 4X18
103	687169-3	STRAIN RELIEF
104	265995-6	TAPPING SCREW 4X18
105	695123-3	POWER SUPPLY CORD 1.5-2-4.0
106	682560-0	CORD GUARD 10
107	631920-3	CONTROLLER
108	265490-6	HEX. SOCKET HEAD BOLT M4X16
109	232209-8	LEAF SPRING
110	451112-6	SLIDE LEVER
111	263027-3	RUBBER PIN 4
112	451105-3	LENS
113	451118-4	HANDLE
114	265995-6	TAPPING SCREW 4X18
115	451106-1	SWITCH LEVER
116	265995-6	TAPPING SCREW 4X18
117	266499-1	H.S HEAD BOLT M6X30 WITH GM
118	867310-6	HM1317CB NAME PLATE
119	451119-2	HANDLE COVER
120	265995-6	TAPPING SCREW 4X18